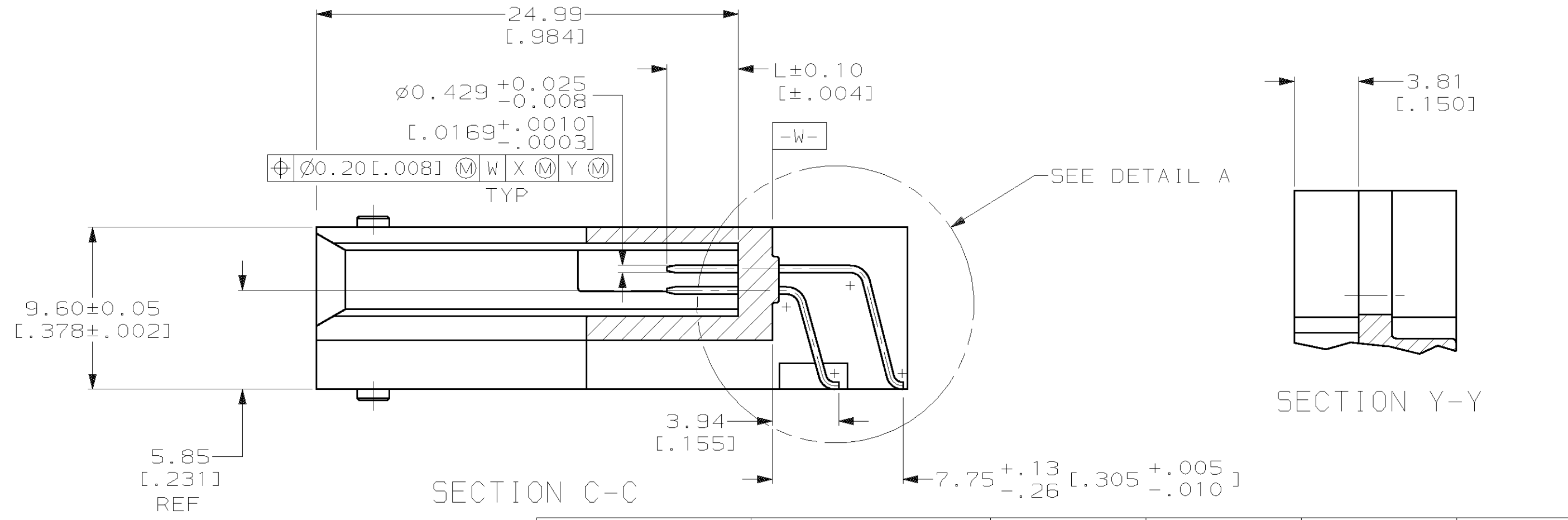
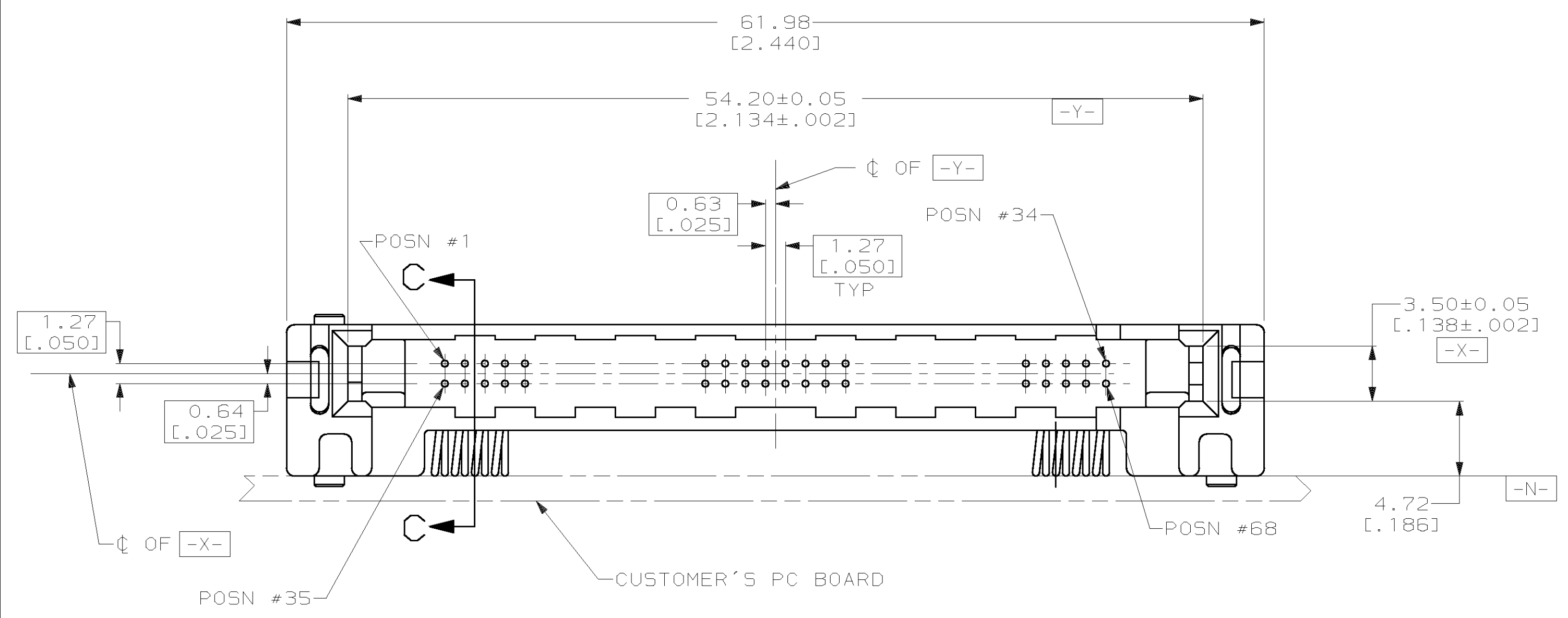
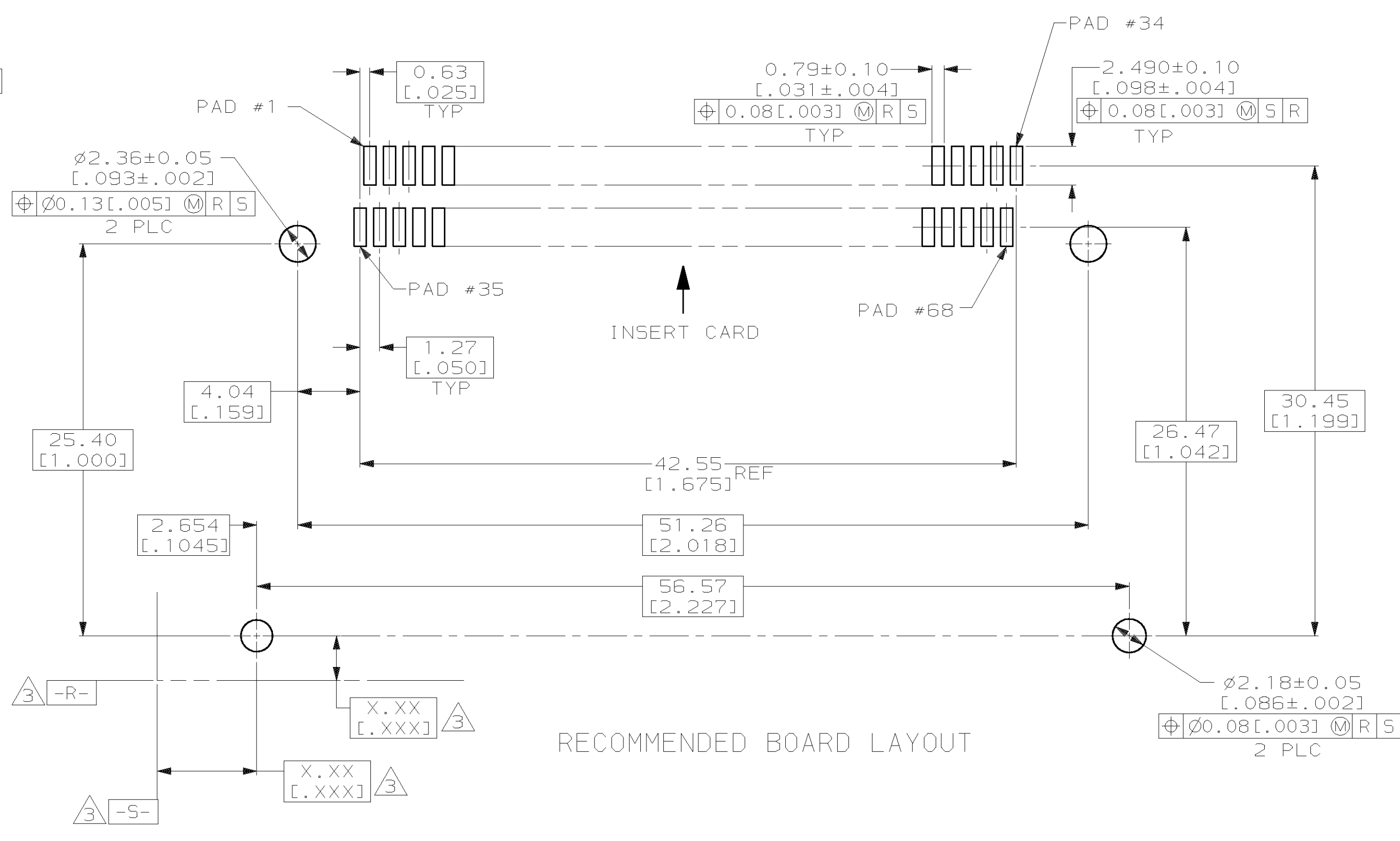
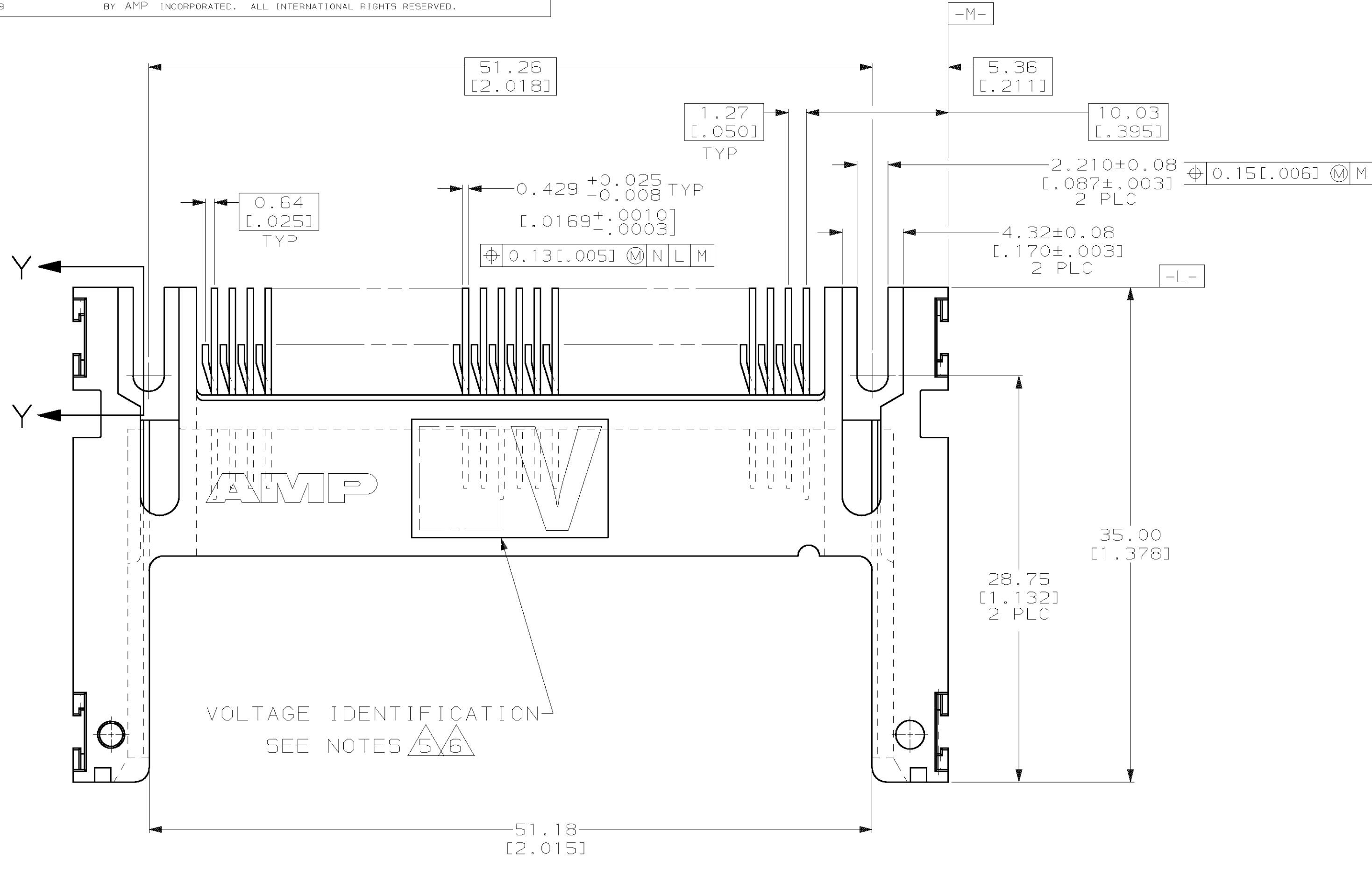
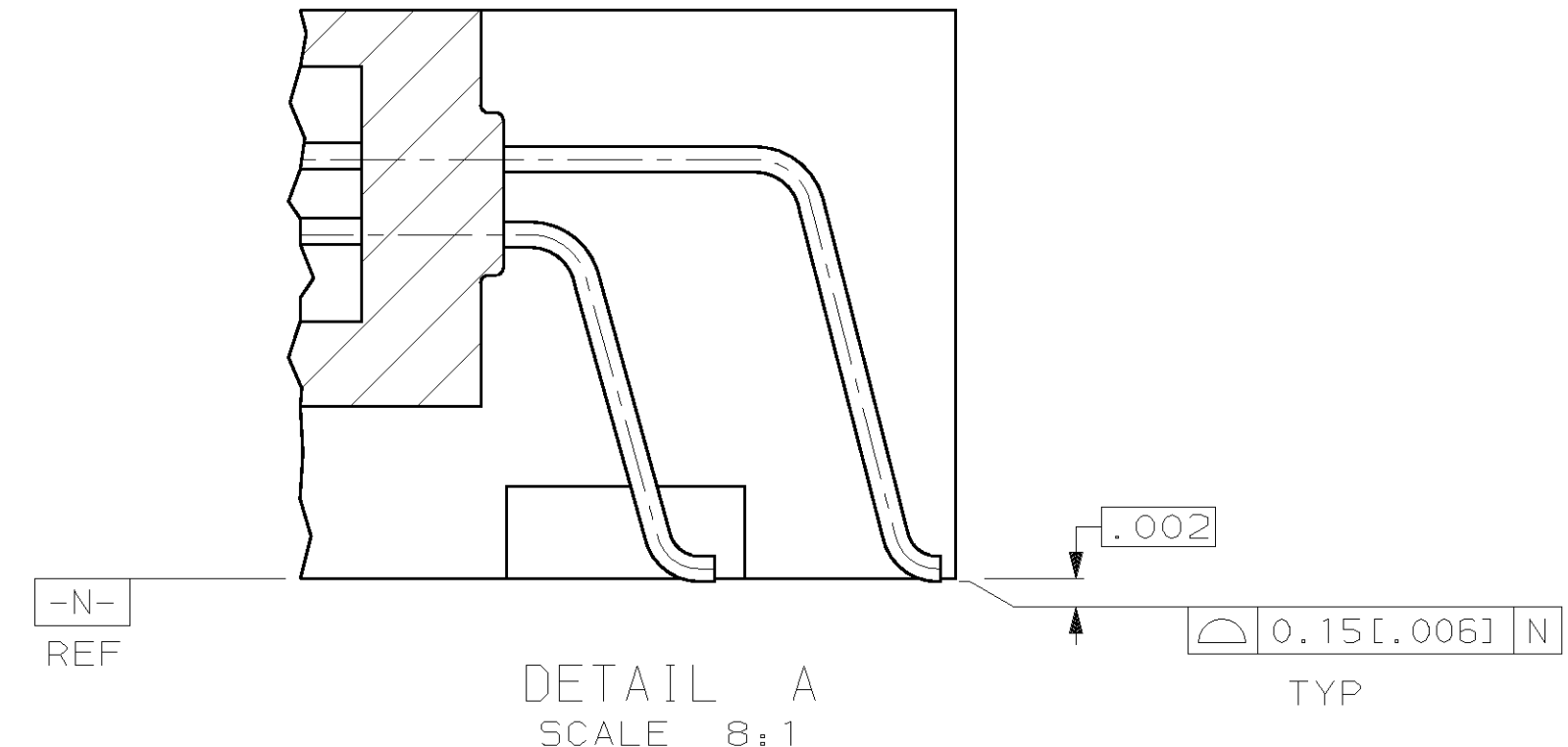


LOC	DIST	P	F	ZONE	LTR	REVISIONS	DATE	APPD
AD	00					J REVISED PER EC 051A-0046-01	26FEB01	JG
						K REV PER EC 051A-0173-01	02 OCT 02	RW
						L REV PER EC 051A-0182-01	02 OCT 02	RW



△	△	1, 17, 34	ALL OTHER PINS	36, 67	535657-5
△	△	35, 51, 68	ALL OTHER PINS	36, 67	535657-4
△	△	1, 17, 34	ALL OTHER PINS	36, 67	535657-3
△	△	35, 51, 68	ALL OTHER PINS	36, 67	535657-2
△	△	1, 17, 34	ALL OTHER PINS	36, 67	535657-1
△	△	35, 51, 68	ALL OTHER PINS	36, 67	535657-1
PACKAGING	VOLTAGE KEYING & IDENTIFICATION	5.0 [.197]	4.25 [.167]	3.5 [.138]	PART NO
"L" (PIN LENGTH) AND LOCATION					

- △ 0.00076[.000030] MINIMUM GOLD IN CONTACT AREA, 0.00381[.000150] MIN TIN-LEAD ON SOLDER TAILS, ALL OVER 0.00127[.000050] MINIMUM NICKEL
- 2 CUSTOMER TO PROVIDE CARD GUIDANCE SYSTEM
- △ DATUMS AND BASIC DIMENSIONS ESTABLISHED BY CUSTOMER
- 4 CONNECTOR REQUIRES USE OF 2 - SIZE 2M SCREWS FOR FASTENING TO PRINTED CIRCUIT BOARD
- △ ASSEMBLY KEYED FOR 5 VOLT CARDS
- △ ASSEMBLY KEYED FOR LOW VOLT CARDS (3.3V)
- △ PACKAGED IN TRAYS, 9 X 17 INCH APPROXIMATE SIZE.
- △ PACKAGED IN TRAYS, 9 X 12 INCH APPROXIMATE SIZE.
- △ PACKAGED IN TAPE & REEL.



DO NOT SCALE PRINT. UNLESS SPECIFIED DIMENSIONS IN mm [INCHES] TOLERANCES ON : 2 PLC DEC ± - ANGLES ± 2° MATERIAL HOUSING: LCP COLOR; BLACK PIN: BRASS FINISH	DR 3/8/93 J MOSER CHK 3/8/93 B ELICKER APPD 3/8/93 B ELICKER MATERIAL APPD 3/8/93 B FLINCHBAUGH PRODUCT SPEC - APPLICATION SPEC - WEIGHT 7.7 GRAMS	AMP AMP Incorporated Harrisburg, PA 17105-3608 NAME PIN HEADER ASSY, 68 POSN, RAISED HT, TOP BD MTG, SURFACE MT, AMP MEMORY CARD SIZE D CAGE CODE 00779 DRAWING NO C-535657 SCALE 4:1 SHEET 1 OF 1
---	--	---

THIS DRAWING IS A CONTROLLED DOCUMENT FOR AMP INCORPORATED. IT IS SUBJECT TO CHANGE AND THE CONTROLLING ENGINEERING ORGANIZATION SHOULD BE CONTACTED FOR THE LATEST REVISION.